

Pressure control

**Products and services
for drilling and well service companies**



Contents

World proven equipment	5
Coflexip®	6
Valves and manifolds	7
100 Series gate valves	7
200 Series choke valves	7
Manifold systems	7
Flowline	8
Manifold trailers	9
Well service pumps	10
Global service and aftermarket support	11





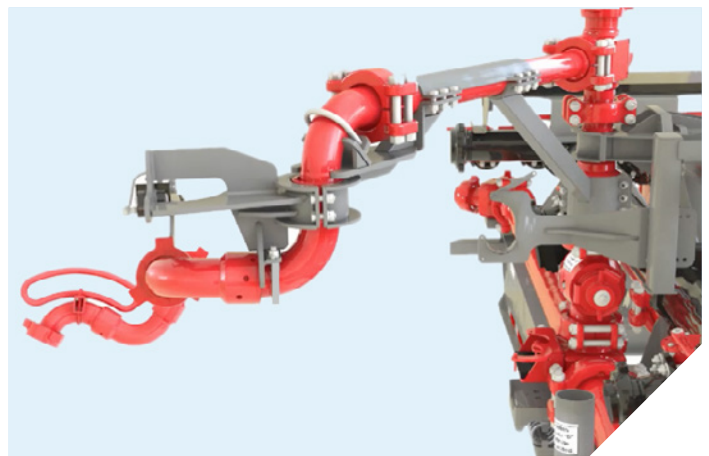


World proven equipment

TechnipFMC offers a broad portfolio of products and services for oilfield drilling and well service companies, setting the global standard for quality, reliability and service life.

From the field proven and trusted Weco®, Chiksan®, and Coflexip® products that have long been industry leading brands, to our range of gate valves, chokes, manifolds and robust well service pumps, TechnipFMC's products are designed to deliver the longest life and the most value to our clients. Our field proven designs and patented features translate to unmatched product life, maximizing uptime, safety and efficiency.

Through our global network of service centers, we deliver a full range of flexible service and aftermarket solutions including installation, maintenance and rental. Our expert technicians deliver consistently no matter the location, and our local inventories and representatives are available when you need them. Our manufacturing facilities are located around the world and deliver the highest level of quality, using state-of-the-art manufacturing equipment and processes, and optimized supply chains.



Articulating Frac Arm Manifold



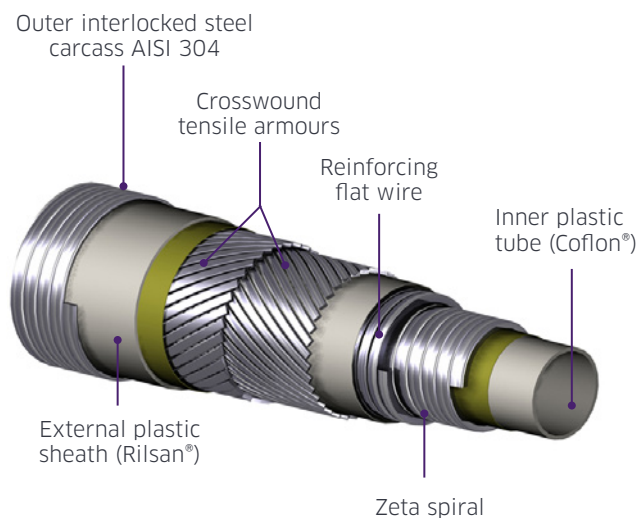
200C cage
choke valve

Coflexip®

Coflexip® products are designed for onshore and offshore oilfield applications where a robust performance is required without sacrificing flexibility and reliability. With design service life of 20 years, Coflexip® products are the choice for drilling and well service operators for safety and operational continuity.

Structures

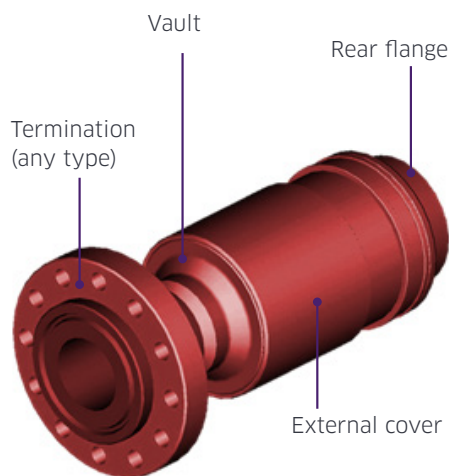
Coflexip® pipes are composed of successive layers of steel and thermoplastic to produce unique structures that have the strength and durability of steel pipes combined with the flexibility of reinforced rubber hoses.



Thermoplastic inner tube

End fittings

Coflexip® flexible steel pipes are supplied with common oilfield connectors available either in stock or machined as required. All exposed parts are subjected to Nikaflex® treatment, providing effective resistance to corrosion.



Coflexip® end fitting

Applications

- ▶ Choke and kill lines
- ▶ Production test line
- ▶ Mud/cement line
- ▶ Hydraulic fracturing line
- ▶ Acidizing line

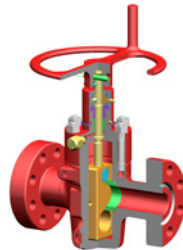
Advantages

- ▶ Greater flexibility
- ▶ Easier hookups
- ▶ No intermediate couplings and leak paths
- ▶ Strong and crush resistance
- ▶ Heavy duty capabilities with exceptional abrasion and fatigue resistance
- ▶ Less vibration
- ▶ Corrosion free

Valves and manifolds

100 Series gate valves

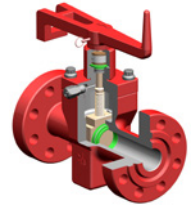
TechnipFMC's gate valves have been trusted for more than 60 years. Our 100 Series of gate valves provide a range of sizes, pressure ratings and trims to meet our clients specific application requirements. With working pressures from 2,000 to 20,000 psi, these full metal-to-metal gate valves provide bubble-tight sealing and reliable operation throughout their rated pressure and temperature ranges.



Series 100 Plus



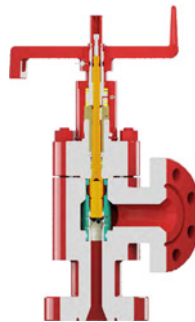
Series 100



M101

200 Series choke valves

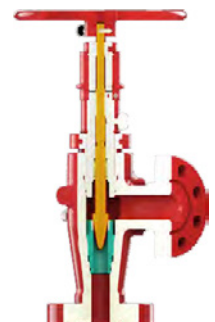
TechnipFMC's 200 Series of chokes include our fit-for-purpose and cost-effective 200N needle and seat, and 200P positive chokes. Our 200C cage chokes that delivers superior erosion resistance, controllability and exceptional service life. All choke valves are designed and tested in accordance to API 6A and can be manufactured in various material classes and product specification levels (PSL).



200C
Cage Choke



200P Positive
Choke Valve

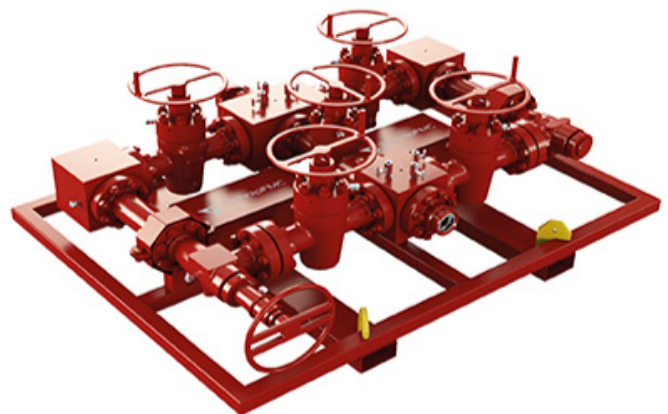


200N Needle and
Seat Choke Valve

Manifold systems

Our manifold systems are designed for onshore and offshore applications and manufactured to clients specifications, incorporating genuine TechnipFMC equipment including gate valves, chokes, plug valves and fittings.

- ▶ Well test manifolds
- ▶ Choke and kill manifolds
- ▶ Cement manifolds
- ▶ Discharge manifolds
- ▶ Frac manifolds



Flowline

Original Chiksan® and Weco® flowline products offer patented features that enable our clients to achieve longer equipment service life, longer maintenance intervals and reduced spares consumption.



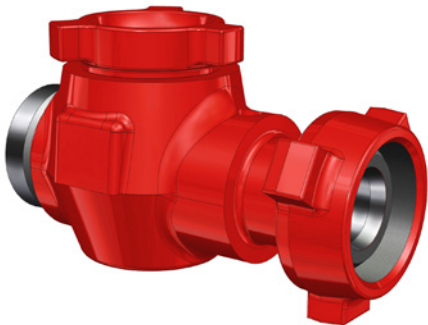
Weco® plug valves

The benefits of TechnipFMC's ULT plug valves are a result of their unique design features. Combined these features translate to longer light and are redefining the standards for plug valve performance.



Chiksan® swivel joints

Chiksan® swivel joints offer longer life, superior performance and reduced maintenance. With many different Chiksan® assembly configurations available, these styles can be combined in unlimited ways to suite nearly any installation.



Weco® check valves

Weco® check valves are offered in three primary models. These valves seal against a full range of well servicing fluids at pressures up to 20,000 psi. Like all of our flowline products, patented features of our check valves deliver significantly longer service life.



Weco® fittings and pup joints

Weco® fittings and pup joints have been optimized for minimum weight and size. These robust products are ideal for handling a complete range of standard and sour bas well servicing fluids at pressures up to 20,000 psi and sizes from 1 inch to four inches.



Weco® butterfly valves

Weco® butterfly valves offer the ultimate in dependable, economical flow control. These field proven valves are available from stock in two to 24-inch sizes and can handle working pressures up to 175 psi.



Weco® union

Weco® wing unions are among the most complete line of standard and sour gas service pipe connectors in the industry. Available in 1-inch to 12-inch nominal pipe sizes with cold working pressures up to 20,000 psi, wing unions are manufactured with the finest raw materials meeting ASME and AISI standards, tooling procedures and heat-treating techniques.

Manifold trailers

TechnipFMC offers conventional manifold trailers and Articulating Frac Arm Manifold (AFAM) trailers.



Conventional Manifold

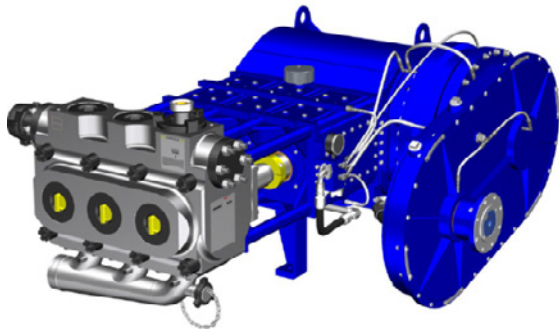
TechnipFMC's manifold trailers are available in multiple configurations and deliver flow rates over 100 BPM at pressures up to 15,000 psi. All manifold trailers are built with genuine TechnipFMC flowline equipment for robust and trouble-free operation.



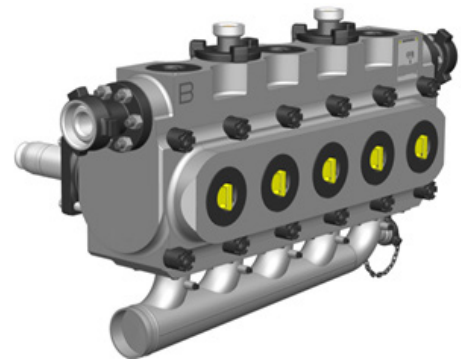
AFAM

Well service pumps

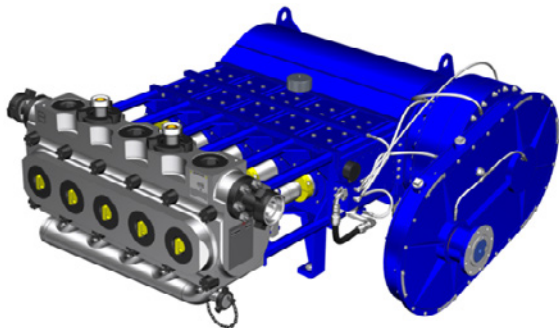
TechnipFMC well service pumps are designed to be the most robust and dependable frac pumps on the market.



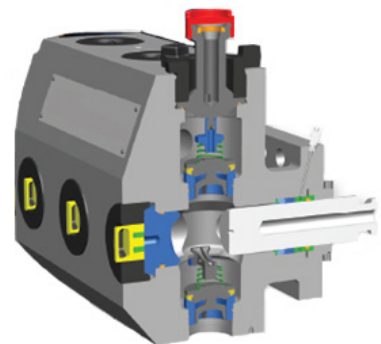
2,000 HP Triplex Pump (WT2400)



GeoPro Fluid End



3,000 HP Quintuplex Pump (WQ3000)



GeoPro 200L Fluid End

Available in quintuplex and triplex configurations, our frac pumps solve problems inherent in legacy frac pump designs and perform reliably in the toughest environments. A 10-inch stroke provides 25 percent more flow than legacy 8-inch pump designs, which means fewer pumps are needed on location. Our power ends are built to last, delivering long and trouble-free service life achieved through:

- ▶ Robust design
- ▶ Superior lubrication
- ▶ Replaceable bearing surfaces
- ▶ Patented connecting rod / crosshead knuckle joint
- ▶ Through bolt design

TechnipFMC's GeoPro fluid ends provide consistent and proven durability in the harshest frac environments. The GeoPro improves productivity and your bottom line by limiting downtime and easing the frustrations related to keeping pumps up and running. GeoPro fluid ends are available for TechnipFMC and competitor power ends.

Global service and aftermarket support

Service has long been a key differentiator for TechnipFMC. We support our clients with a full range of services on a 24/7 basis worldwide.



TechnipFMC supports client operations from our strategically located field bases, providing responsive service, quality equipment and local expertise. Competent technicians deliver superior service from repair and maintenance to asset management. We offer extensive local inventories and rental options. Our commitment to HSE, value and service excellence help our clients maximize their potential.



USA

One Subsea Lane
Houston Texas 77044 USA
Tel.: +1 281 591 4000

London

One St Paul's Churchyard
London, U.K. EC4M 8AP
Tel.: +44 (0)20 3429 3950

France

89 avenue de la Grande Armée
75116 - Paris - France
Tel.: +33 (0)1 47 78 24 00

Surface.sales@technipfmc.com